

Bipolar signal source **divize**

A2034 series

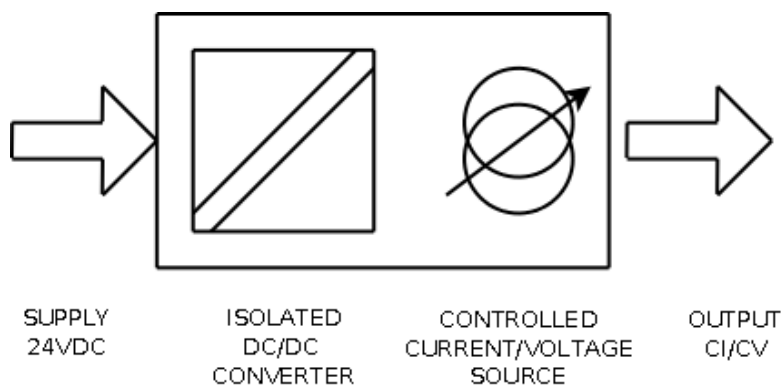
Features

The [A2034](#) series Bipolar Current/voltage signal source are designed to be used as a bipolar current/voltage source for testing actuators and other control systems. The units are powered from a 24VDC supply. The output is isolated from the input up to 1kV isolation voltage.

Usage.

- Human machine interface
- Software testing
- Alarm testing
- PID controller testing
- Actuator testing.

Block Diagram



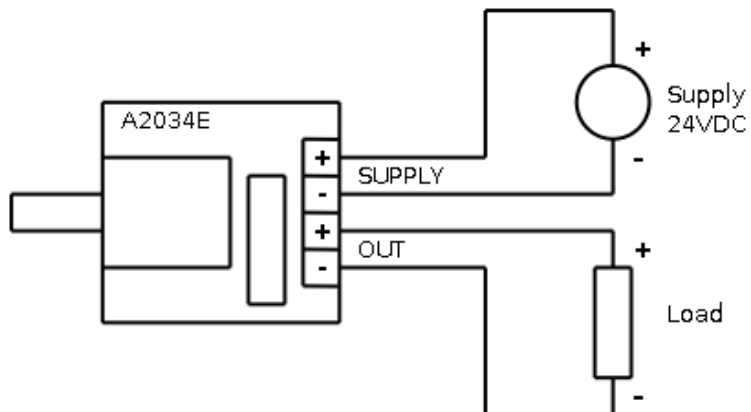
Type denominator

A2034-IA	Current output unit -8 / +8 mA
A2034-IU	Current output unit -20 / +20 mA
A2034-VU	Voltage output unit -10 / +10V

Specifications

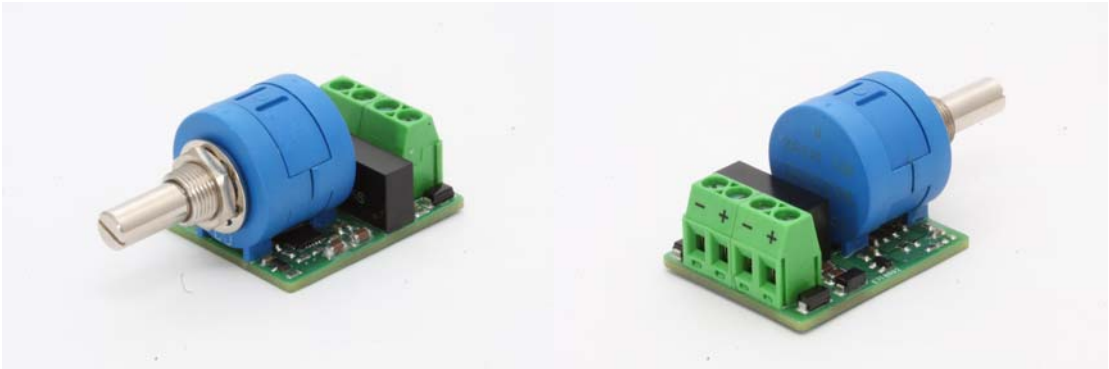
	A2034-IA	A2034-IU	A2034-VU
Output Potentiometer	Current 10 turn precision	Current 10 turn precision	Voltage 10 turn Precision
Output Low	-8	-20	- mA
Output High	8	20	- mA
Accuracy	1	1	1 %
Output Low	-	-	-10 V
Output High	-	-	10 V
Max output voltage	+/- 14,6	+/- 17,6	V
Max output current	n.a	n.a.	20,0 mA
Max Load	1000	750	600 ohm
Supply	24,0	24,0	24,0 V
Supply tolerance.	+/- 10	+/- 10	+/- 10 %
Supply current max.	22	42	33 mA
Isolation	1000	1000	1000 V
Connection	Screw terminal	Screw terminal	Screw terminal
Mounting	Ø 9,0	Ø 9,0	Ø 9,0 mm
Material axle	Metal	Metal	Metal
Potentiometer axle diameter	6,35	6,35	6,35 mm
Dimensions (l x w x h)	32x30x25	32x30x25	32x30x25 mm
Weight	33	33	33 Gram

Connection diagrams

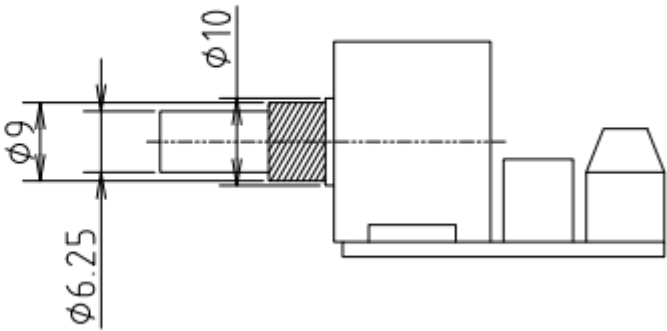
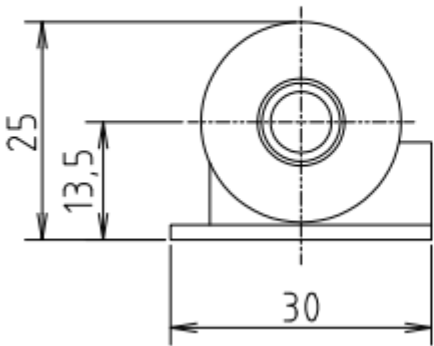
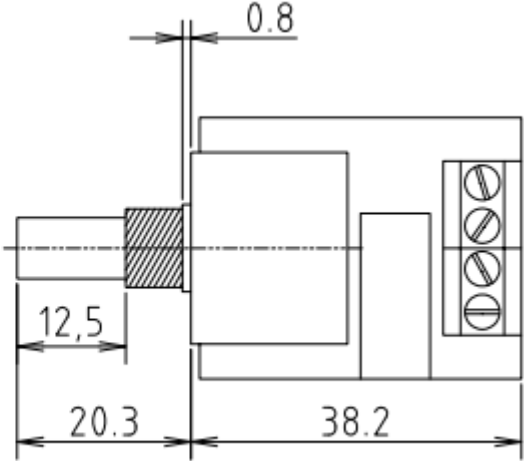


Caution:
Do not connect voltage supply to the OUT terminals.

Pictures



Dimensions



© 2014-2020
DIVIZE b.v.
Industrieweg 26
2254AE VOORSCHOTEN
The Netherlands
T: +31(0) 88 7733733
W: divize.com
E: info@divize.com

Revision 04: July 8, 2020